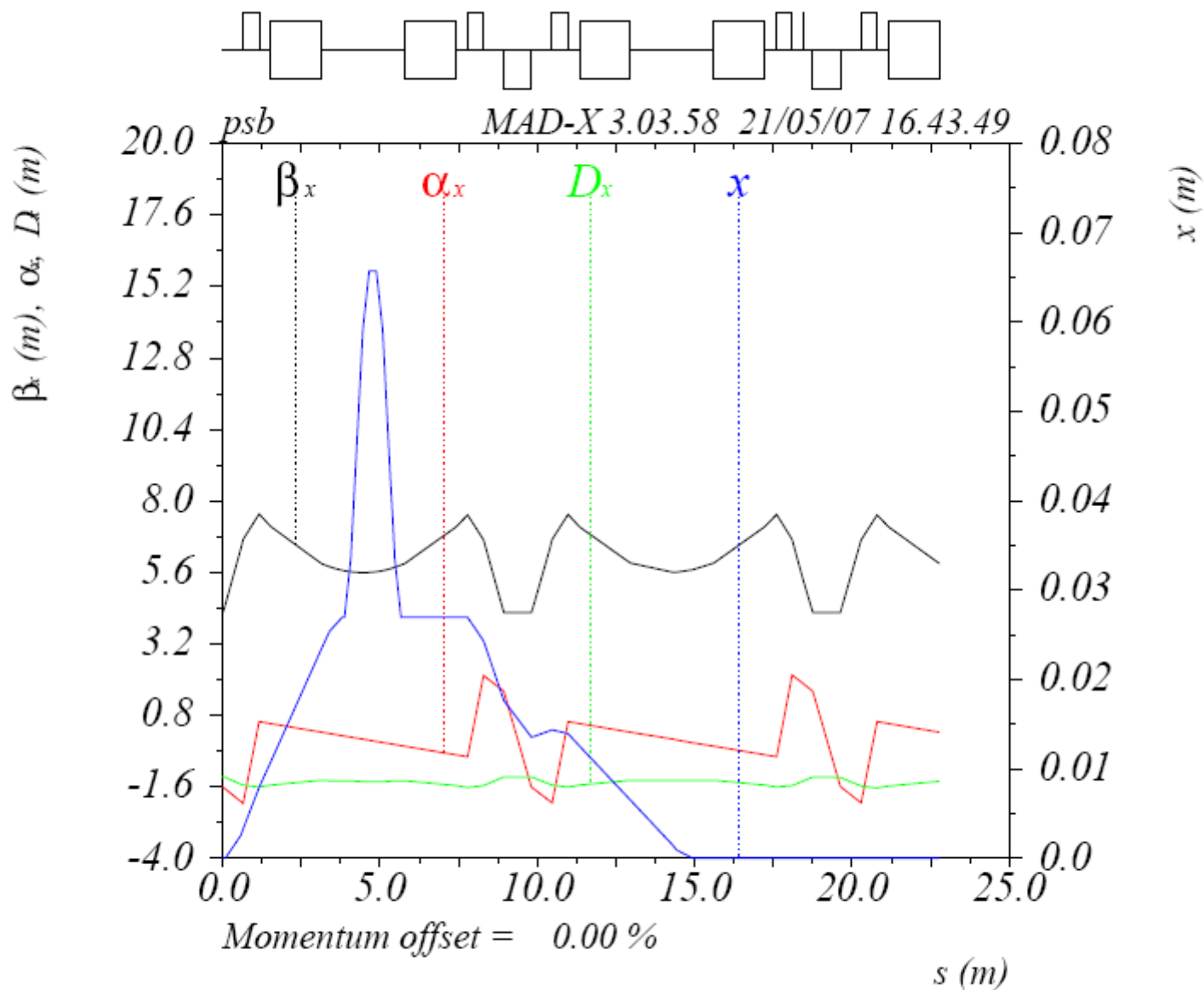
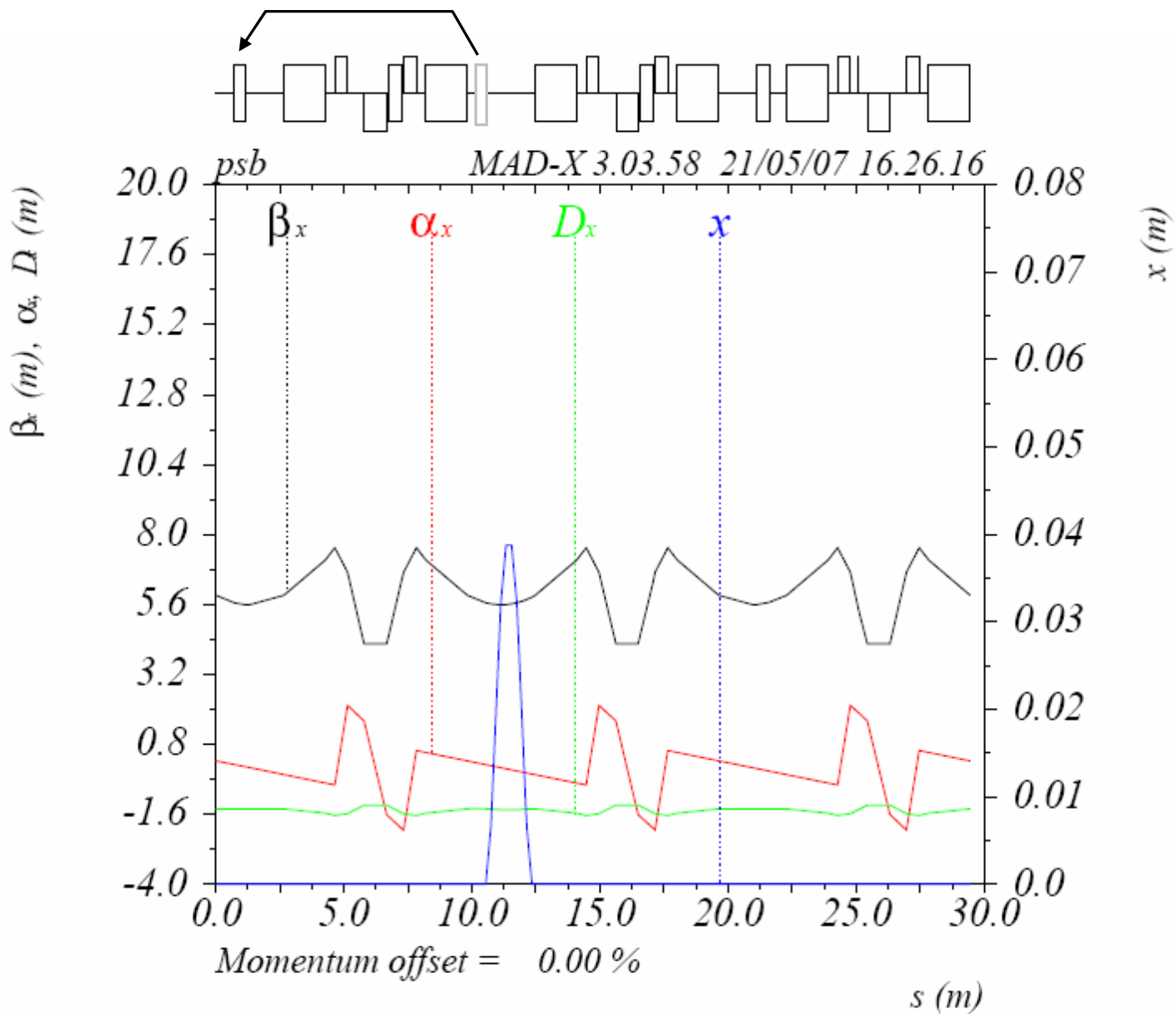


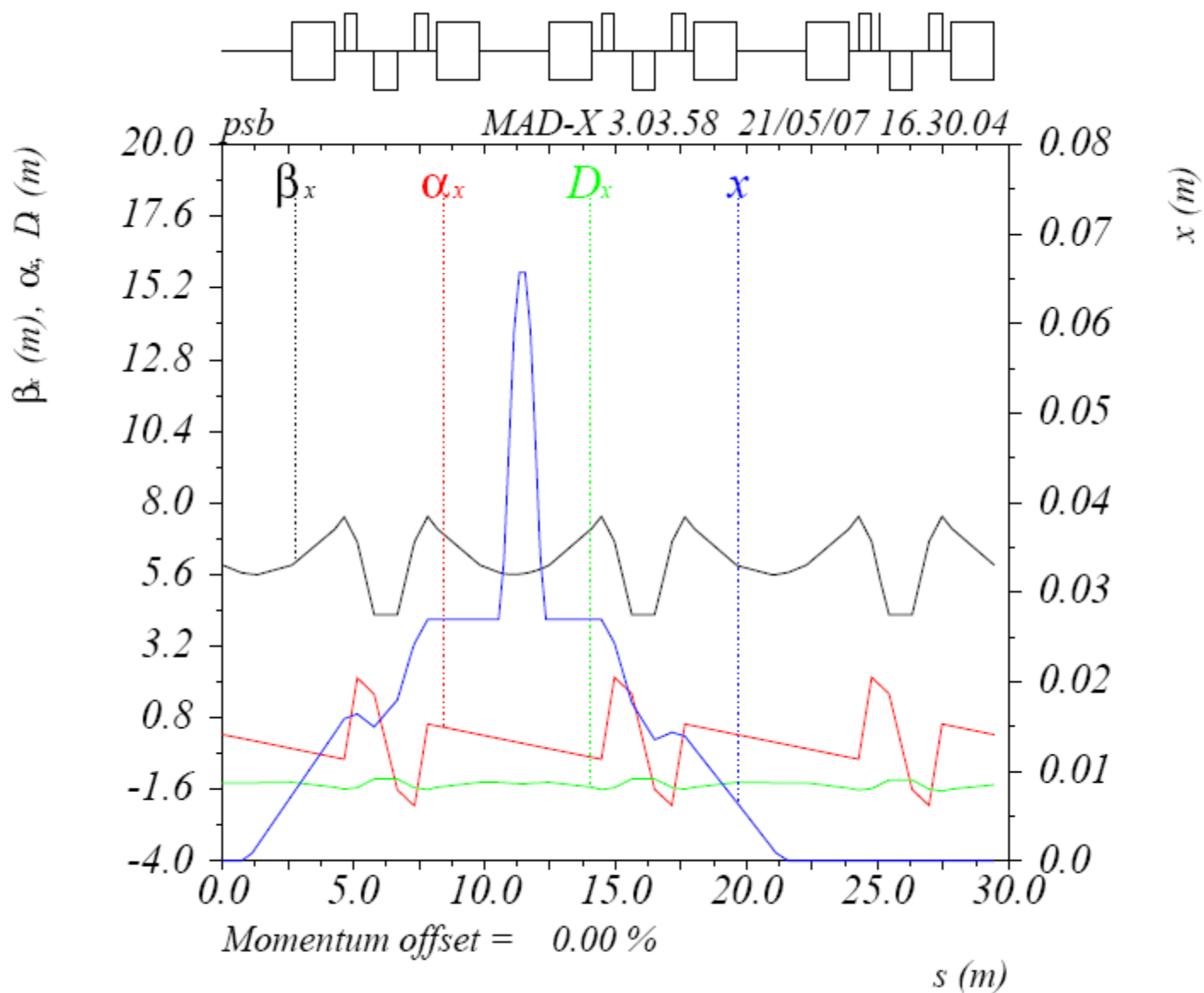
# Present chicane + painting bump

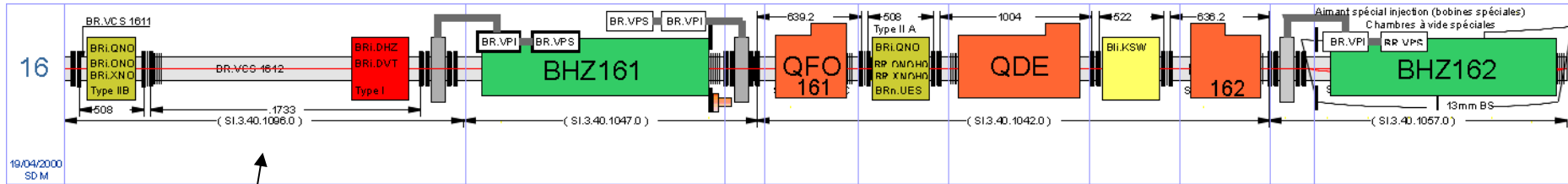


Displace ksw111 to start of period 16

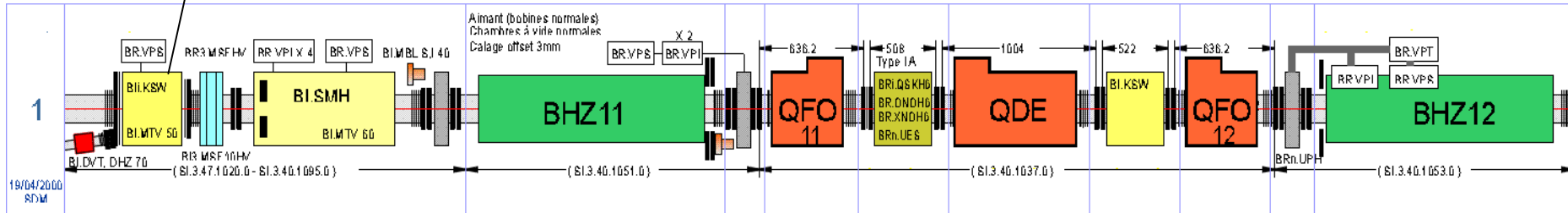


# New chicane + painting bump

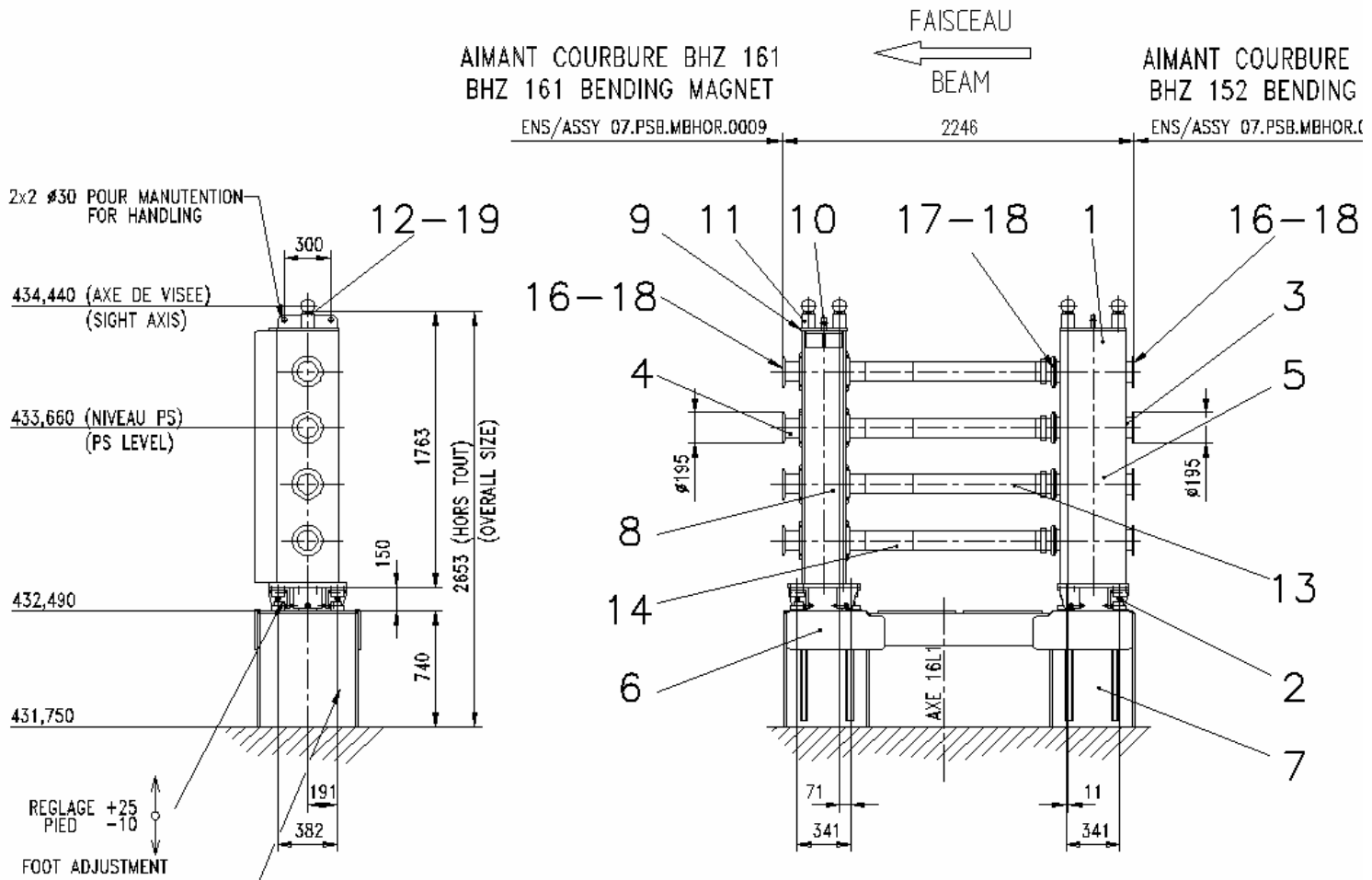




Put KSW1L1 magnets here to increase space in injection period.



# Present straight drift at start of period 16



## Strengths needed

	“present” [mrad]	“new” [mrad]
KSW16L4	10.1	1.0
KSW1L1/KSW16L1	-7.9	4.3
KSW1L4	1.3	1.3
KSW2L1	3.8	3.8